

# SCHIEDERWERK

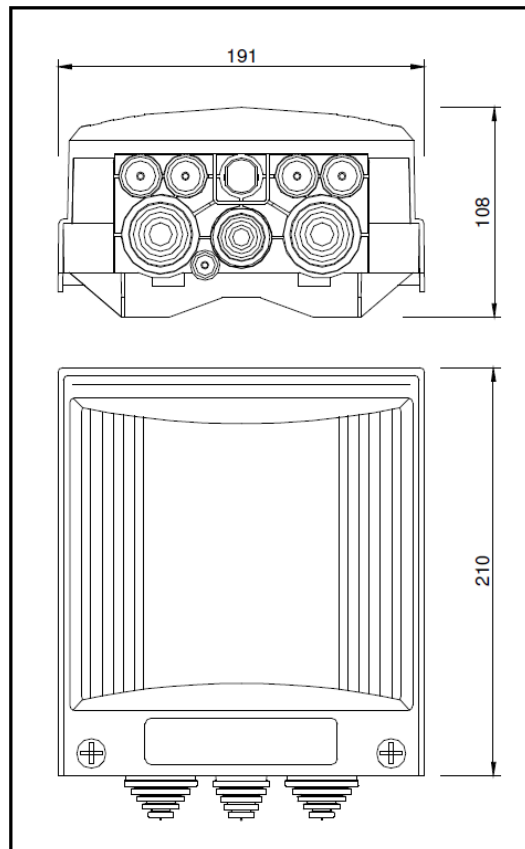
**Distribution Box up to 50 Pair  
in LSA+ Quick Connection  
Technique**

*Technical Specifications*



## Description

- Housing with hinged cover (opening approx. 110°)
- Space for owner's label on the cover approx. 24 mm x 100 mm
- Space for additional label on the cover approx. 125 mm x 100 mm
- Prepared for mounting on wall or pole (wood, metal or concrete)
- No additional pole mounting kit necessary
- Protection class IP 54 (optional IP 64 with sealing)
- Cover closed with 2 special screws secured against loss
- Cable entry:
  - 1 x for cable up to  $\varnothing$  23 mm
  - 2 x for cable up to  $\varnothing$  32 mm
  - 4 x for cable up to  $\varnothing$  14,7 mm
  - 1 x for cable up to  $\varnothing$  9 mm (for earth connection)
- Prepared for surge protection
- Backmount frame for 5 modules LSA+
- Earth wire up to  $\varnothing$  4 mm possible
- Sheath grounding clamps
- Option of locking: plumbing or lock



## Material

Housing:	PC/ABS, UV-stabilized, UL 94 V-0, grey
Cover:	glass-fiber reinforced polyester HUP 19/23, grey
Screws (for cover):	polyamid UV-stabilized
Grommets:	synthetic rubber, or polyethylene, black
Backmount frame:	stainless steel
Earthing:	brass, nickel plated and stainless steel
Screws:	stainless steel

<b>Order No.:</b>	<b>041 110 300</b> without connection modules
	<b>041 101 303</b> with 3 pcs. connection modules
	<b>041 101 305</b> with 5 pcs. connection modules

Last Update: 11/2004