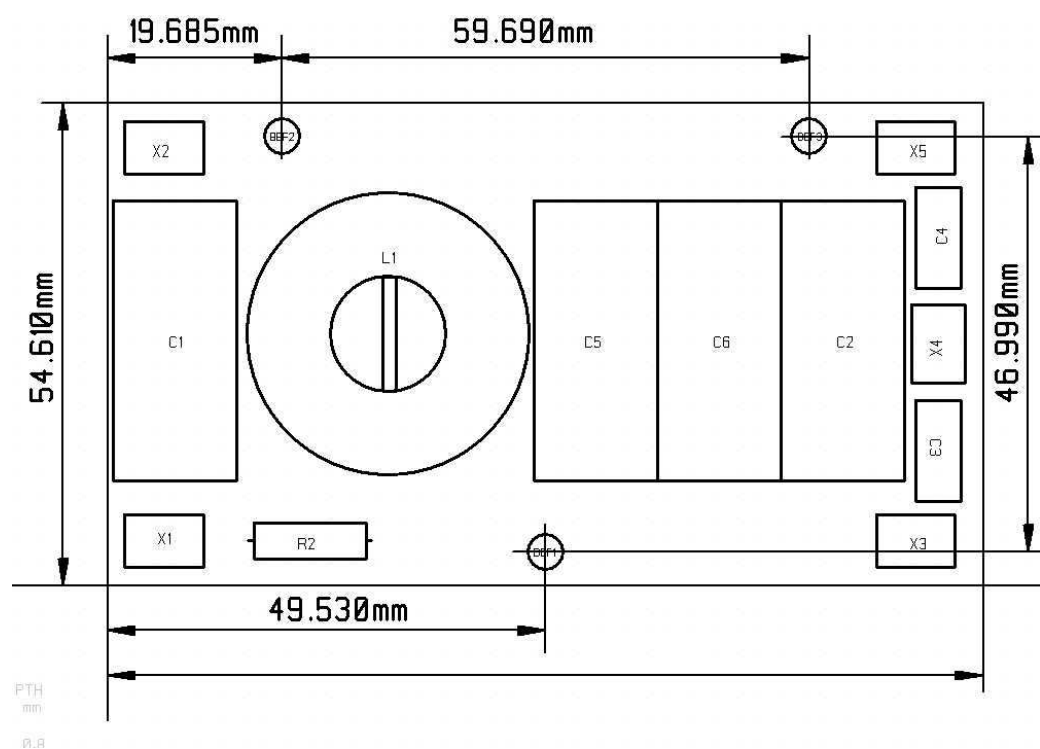


Filter 8 A

Leistungsmerkmale	Characteristics	
Netzspannung	Mains voltage	90 - 260V
Frequenz	Frequency	4 – 63 Hz
Umgebungstemperatur	Ambient temperature	70°C
Feuchtekategorie	Humidity class	G acc. to DIN 40040
Kapazitätstoleranz	Capacity tolerance	± 20%
Induktivitätstoleranz	Inductive tolerance	-30% / +50%
Entladewiderstand	Discharge resistor	240 kΩ
Stecker	Connectors	AMP 6,3



Current	Order No.	Capacitance	Inductance	Height
8A	32 323 1000	2,2µF X2+2x3,3nF Y+6,6µF X2	2x24mH	25mm